

EASY
TOOL-LESS
HEIGHT
ADJUSTMENT

BT8565

UNIVERSAL XL FLAT SCREEN TROLLEY WITH ADJUSTABLE HEIGHT

As part of B-Tech's Designer Trolley range, the BT8565 is a high-end mounting solution which adds a touch of aesthetic class to any mobile display requirement. Available in a choice of black, silver and white, with contrasting dual colour accents and a triangular shaped column, the BT8565 has a modern, contemporary look and is universally suitable for mounting screens in both landscape and portrait orientations. The adjustable height feature is quick and easy to use without the need for tools and levelling screws are included for post-installation screen levelling. Integrated cable management keeps finished installations looking neat and tidy whilst non-marking, braked castors make repositioning quick and easy without marking or scuffing floor surfaces.

SPECIFICATION

Recommended screen size	65" - 120"
Max load	50-83kg
VESA® & non-VESA fixings	up to 1000 x 600mm
Trolley dimensions	H:1932* W:1697 D:991mm
Toolless height adjustment range	400mm
Colour options	Black, Black & Silver or White

*Measurement from floor to top of vertical columns (including end cap)

FEATURES

- Universal design suitable for displaying XL screens over 65"
- Easy to use tool-less height adjustment
- Non-marking locking / braked castors
- Collar compatible accessories such as shelves (available separately) can be fitted directly to the column
- Integrated cable management for a smart installation
- Safety screws help prevent unauthorised removal of screen
- Dual colour options available for a modern, contemporary look
- Simple 'hook-on' screen installation with all mounting hardware included



Easy to use tool-less height adjustment



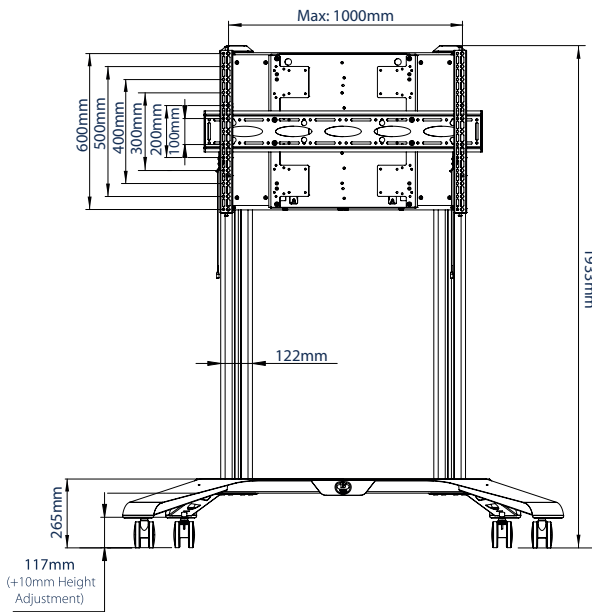
Dual colour options available for a modern contemporary look



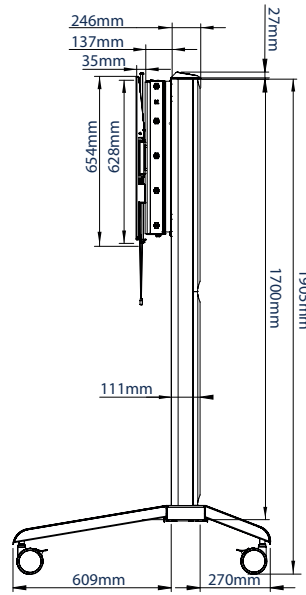
Non-marking locking / braked castors included



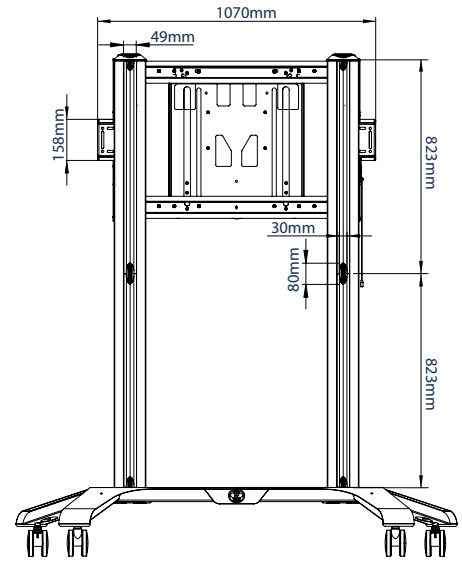
AV accessory shelves can be fitted directly to the columns



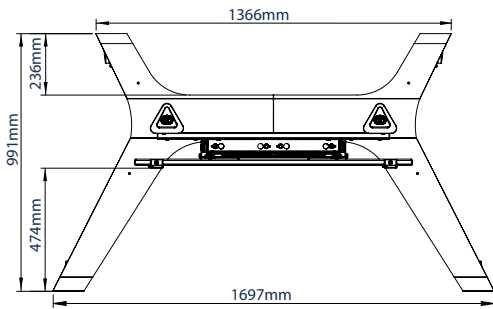
FRONT VIEW



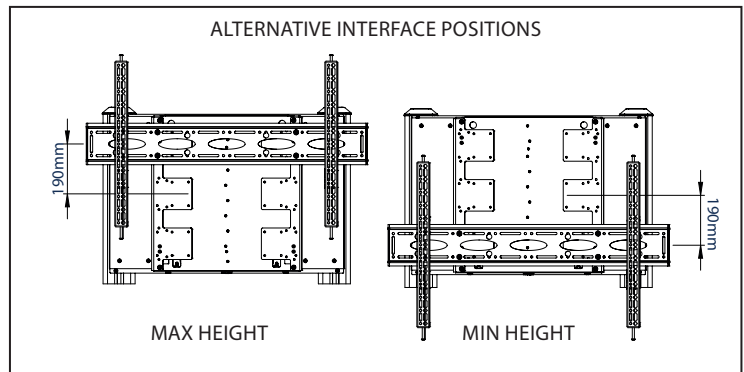
SIDE VIEW



REAR VIEW



TOP VIEW



ALTERNATIVE INTERFACE POSITIONS

MAX HEIGHT

MIN HEIGHT

PACKING INFORMATION

PLEASE NOTE, THIS IS A 5 BOX ITEM

COLOUR:	ORDER REF:	EAN CODE:	MASTER CARTON WEIGHT:	MASTER CARTON CUBE:
Black	BT8565/BB	5019318302343	35kg / 14kg / 14kg / 17kg / 24kg	0.239cbm / 0.107cbm / 0.013cbm / 0.072cbm / 0.039cbm
Black & Silver	BT8565/BS	5019318302350	35kg / 14kg / 14kg / 17kg / 24kg	0.239cbm / 0.107cbm / 0.013cbm / 0.072cbm / 0.039cbm
White	BT8565/WW	5019318302367	35kg / 14kg / 14kg / 17kg / 24kg	0.239cbm / 0.107cbm / 0.013cbm / 0.072cbm / 0.039cbm

ACCESSORIES AND RELATED PRODUCTS



AV Accessory Shelves can be fitted directly to the vertical column



Universal XL Flat Screen Wall Mount with Tool-less Height Adjustment



Universal Extra Large Flat Screen Display Trolley



Flat Screen Trolley with Height Adjustment and Flip Rotation

© 2016 B-Tech International Design & Manufacturing Ltd. All rights reserved. The information in this specification is for reference only. B-Tech International Design & Manufacturing Ltd. reserves the right to change the technical or physical specifications without notice. This B-Tech International Design & Manufacturing Ltd. is not responsible for any damage or loss caused by improper or unauthorized use of the product. Any reproduction or transmission or republishing of any part of this specification is strictly prohibited unless prior written permission has been granted by B-Tech International Design & Manufacturing Ltd. (B-Tech).

SS-V1.1-BT8565-191219