



FOR
 46" - 55"
 SCREENS

BT8370-3X3

UNIVERSAL VIDEOWALL STAND FOR 3X3 VIDEOWALLS

Designed to mount videowalls in a 3x3 configuration, the BT8370-3X3 is a freestanding mounting solution for videowall screens from 46" to 55". As part of B-Tech's dynamic System X range, this contemporary mounting solution is lightweight yet incredibly strong, has a high-end aesthetic quality and comes with important time saving features such as tool-less micro-adjustment and a universal screen position spacer to speed up the installation process. For smaller installations the BT8370 is also available as an off-the-shelf 2x2 package or in alternative configurations using our online configuration tool at www.btechavmounts.com/systemx-configurator

SPECIFICATION

Recommended screen size	46" - 55"*
Max load	110lbs (50kg) per screen
VESA® & non-VESA fixings	up to 600 x 400
Dimensions	W: 118.11" D: 37.40" H: Min: 98.32" - Max: 106.08"
Color option (columns)	Black or Silver

FEATURES

- Universal design suitable for all videowall screens
- Suitable for landscape or portrait mounting
- Tool-less micro-adjustments for seamless screen alignment
- Integrated cable management
- Includes adjustable leveling feet
- Collar compatible accessories such as shelves can be fitted directly to the extrusion
- Includes re-usable screen position spacer to aid installation of screens
- Safety screws help prevent unauthorized removal of screens
- All mounting hardware included
- *For 55" to 60" sized screens please see BT8370-3X3-60 Spec Sheet



SYSTEM X

55" 140cm VESA 600 x 400 110LBS PER SCREEN

ALTERNATIVE CONFIGURATIONS

The BT8370-3X3 is a mounting kit configured for a common videowall setup. Off-the-shelf kits for 2X2 and 3X3 configurations for screens from 39" to 60" are available throughout the range and for a custom configuration, use our online configuration tool to enter your specifications. With options such as screen size (from 32"-70"), screen orientation and leg height to choose from, there are over 2000 different configurations of the BT8370 available!

Try now at www.btechavmounts.com/systemx-configurator



Tool-less micro-adjustment for seamless display alignment



Cable management covers hide untidy cables and add to the stylish finish

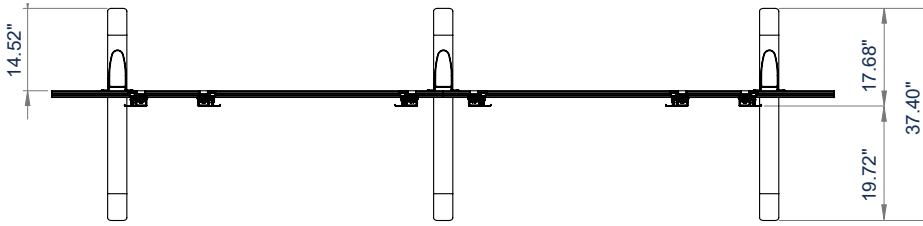


Fit System 2 compatible accessories such as shelves without using collars

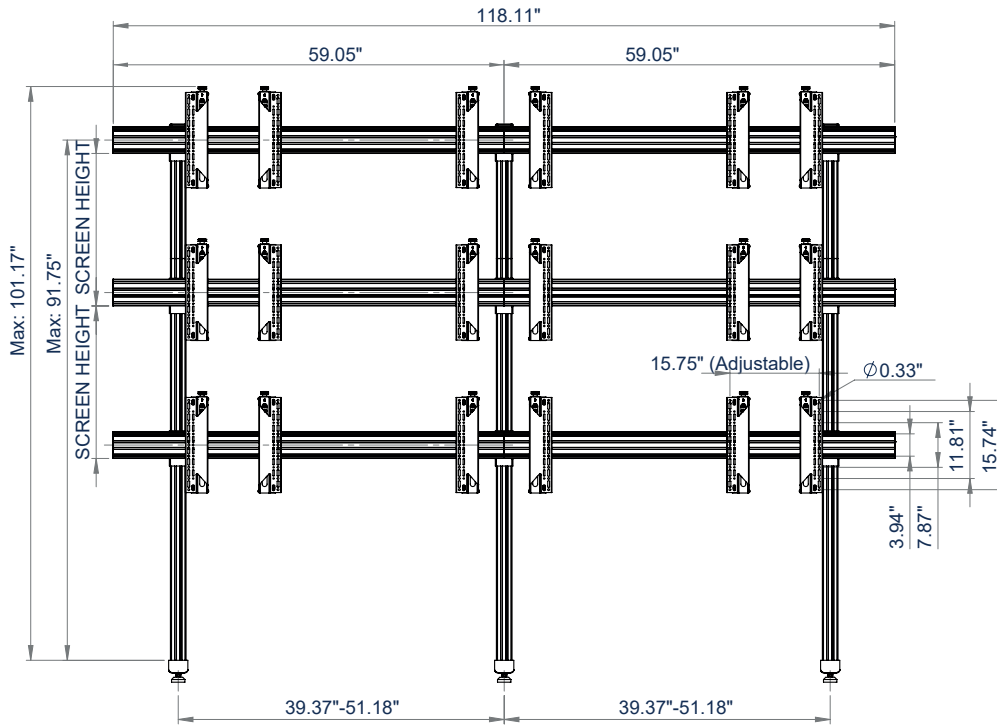


Screen spacer designed to eliminate calculations and guess work when installing horizontal rails

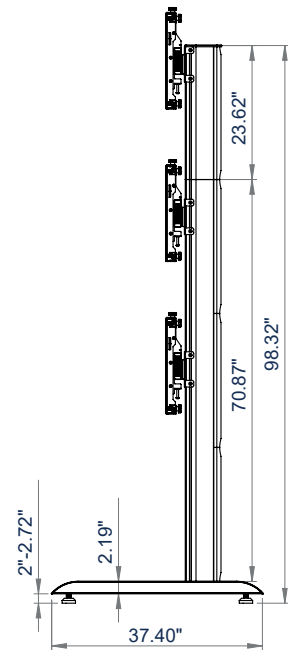
BT8370-3X3 DIMENSIONS FOR 46" - 55" SCREENS
 PLEASE SEE BT8370-3X3-60 SPEC SHEET FOR SCREENS 55" - 60"



TOP VIEW



FRONT VIEW



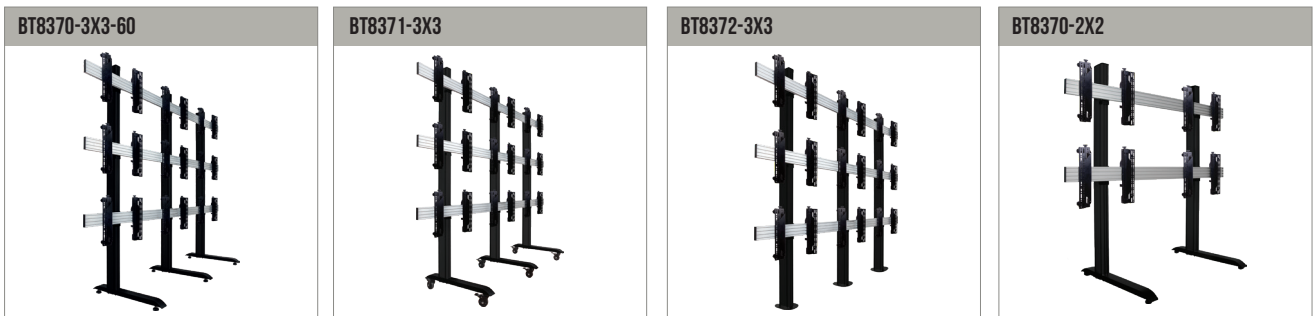
SIDE VIEW

PACKING INFORMATION

PLEASE NOTE, THIS IS A MULTIPLE BOX ITEM AND WILL BE DELIVERED ALL TOGETHER ON 1 PALLET

COLOR:	ORDER REF:	UPC CODE:	WEIGHT INCL. PALLET	CUBE INCL. PALLET
Black with Silver Rails	BT8370-3x3/BS	811867032772	441lbs	72.92cuft
Silver	BT8370-3x3/S	811867032789	441lbs	72.92cuft

RELATED PRODUCTS



Universal 3x3 Videowall Stand
for screens 55" - 60"

Universal Mobile Videowall Cart
for 3x3 Videowalls

Universal Bolt Down Videowall Stand
for 3x3 Videowalls

Universal Videowall Stand
for 2x2 Videowalls

© 2015 B-Tech Av Mounts, LLC. All rights reserved. B-Tech Av Mounts, LLC is a registered trademark of B-Tech Av Mounts, LLC. The information in this specification is for informational purposes only. The B-Tech Av Mounts, LLC logo and the B-Tech Av Mounts, LLC name are the B-Tech Av Mounts, LLC registered trademarks. All other trademarks are the property of their respective owners. B-Tech Av Mounts, LLC is not responsible for any damage caused by improper installation or use of the product. Any reproduction or modification of any part of this specification is strictly prohibited unless prior written permission has been granted by B-Tech Av Mounts, LLC.

SS-V5-BT8370-3X3-190521-US