



FOR
 46" - 60"
 SCREENS

BT8370-2X2

UNIVERSAL VIDEOWALL STAND FOR 2X2 VIDEOWALLS

Designed to mount videowalls in a 2x2 configuration, the BT8370-2X2 is a freestanding mounting solution with a universal design suitable for all videowall screens from 46" to 60". As part of B-Tech's dynamic System X range, this contemporary mounting solution is lightweight yet incredibly strong, has a high-end aesthetic quality and comes with important time saving features such as tool-less micro-adjustment and a universal screen position spacer to speed up the installation process. For larger installations the BT8370 is also available as an off-the-shelf 3x3 package or in alternative configurations using our online configuration tool at www.btechavmounts.com/systemx-configurator

SPECIFICATION

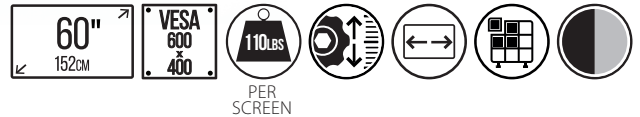
Recommended screen size	46" - 60"
Max load	110lbs (50kg) per screen
VESA® & non-VESA fixings	up to 600 x 400
Dimensions	W: 78.74" D: 37.40" H: Min: 74.70" - Max: 82.45"
Color option (columns)	Black or Silver

FEATURES

- Universal design suitable for all videowall screens
- Suitable for landscape or portrait mounting
- Tool-less micro-adjustments for seamless screen alignment
- Integrated cable management
- Includes adjustable leveling feet
- Collar compatible accessories such as shelves can be fitted directly to the extrusion
- Includes re-usable screen position spacer to aid installation of screens
- Safety screws help prevent unauthorized removal of screens
- All mounting hardware included



SYSTEM X



ALTERNATIVE CONFIGURATIONS

The BT8370-2X2 is a mounting kit configured for a common videowall setup. Off-the-shelf kits for 2X2 and 3X3 configurations for screens from 39" to 60" are available throughout the range and for a custom configuration, use our online configuration tool to enter your specifications. With options such as screen size (from 32"-70"), screen orientation and leg height to choose from, there are over 2000 different configurations of the BT8370 available!

Try now at www.btechavmounts.com/systemx-configurator



Tool-less micro-adjustment for seamless display alignment



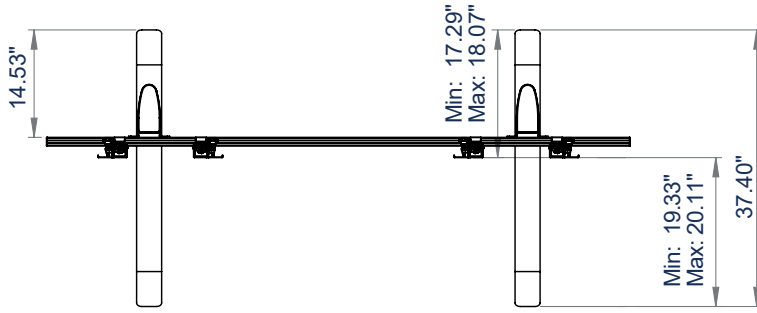
Cable management covers hide untidy cables and add to the stylish finish



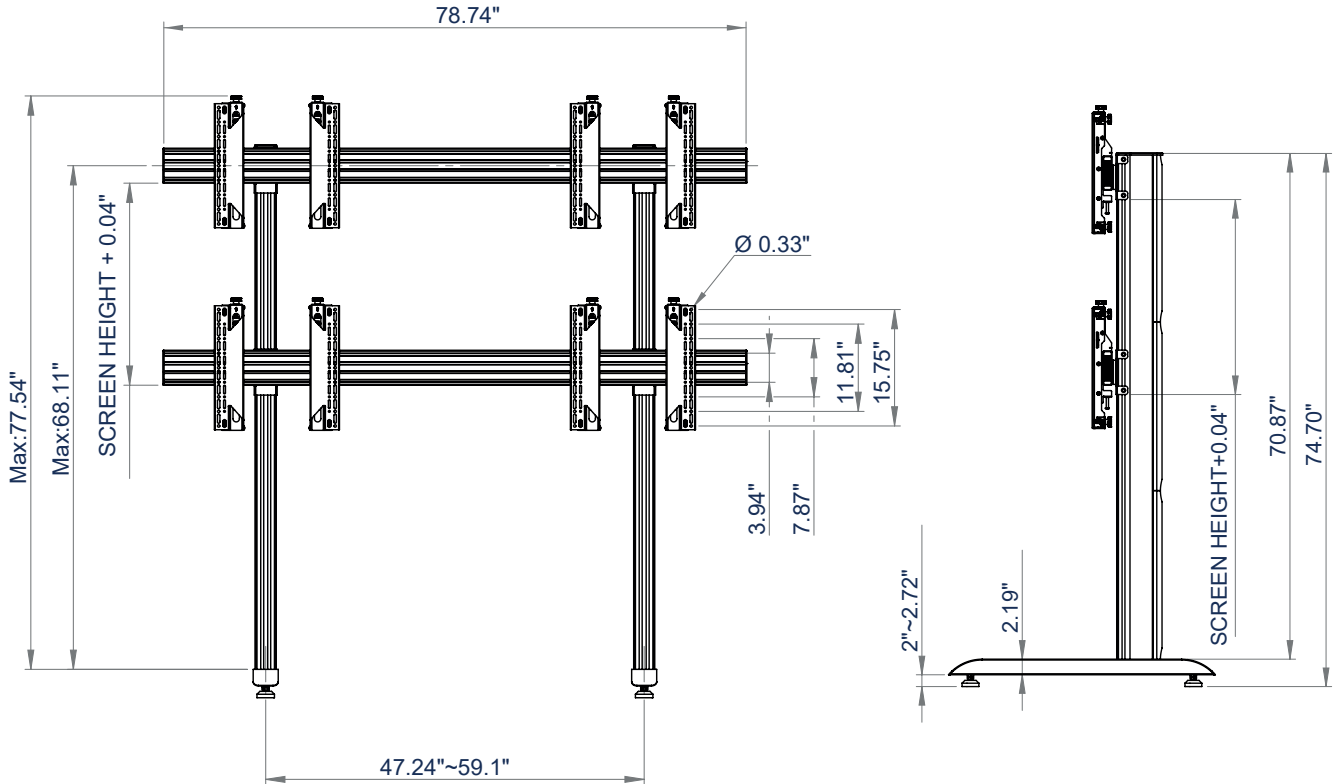
Fit System 2 compatible accessories such as shelves without using collars



Screen spacer designed to eliminate calculations and guess work when installing horizontal rails



TOP VIEW



FRONT VIEW

SIDE VIEW

PACKING INFORMATION

PLEASE NOTE, THIS IS A MULTIPLE BOX ITEM

COLOR:	ORDER REF:	UPC CODE:	CARTON QTY	CARTON CUBE	CARTON WEIGHT
Black with Silver Rails	BT8370-2x2/BS	811867032758	8	x1 1.57cuft, x2 2.18cuft, x1 0.77cuft, x2 1.45cuft, x2 0.42cuft	x1 31lbs x2 27lbs, x1 11lbs, x2 18lbs, x2 24lbs
Silver	BT8370-2x2/S	811867032765			

ACCESSORIES AND RELATED PRODUCTS



BT8370-3X3
Universal Videowall Stand
for 3x3 Videowalls



BT8371-2X2
Universal Mobile Videowall Cart
for 2x2 Videowalls



BT8372-2X2
Universal Bolt Down Videowall Stand
for 2x2 Videowalls



BT7032 / BT7033 / BT7863
AV Accessory Shelves can be attached
directly to a vertical column

© 2015 B-Tech Av Mounts, LLC. All rights reserved. The information in this specification is for informational purposes only. B-Tech Av Mounts, LLC and its subsidiaries are not responsible for any damage or loss of data or equipment caused by the use of this product. Any reproduction or distribution of any part of this specification is strictly prohibited without the prior written permission of B-Tech Av Mounts, LLC.

SS-V4-BT8370-2X2-190521-US