



**MOUNTS  
 SCREENS  
 UP TO  
 276LBS**

# BT8310XL

## HEAVY DUTY POP-OUT FLAT SCREEN WALL MOUNT

Designed to mount extra-large screens, the heavy duty BT8310XL is capable of mounting screens up to 276lbs in both landscape and portrait orientations. With reinforced scissor arms, this wall mount is ideal for mounting the largest sized screens and features an easy to use pop-out function for full service access and an 8-point micro-adjustment, making installation and alignment into a recessed wall both quick and simple. Access to the rear of the screen for maintenance or cabling is possible through the pop-out feature, with an additional locking kit accessory available (separately) to prevent unauthorized access if required.

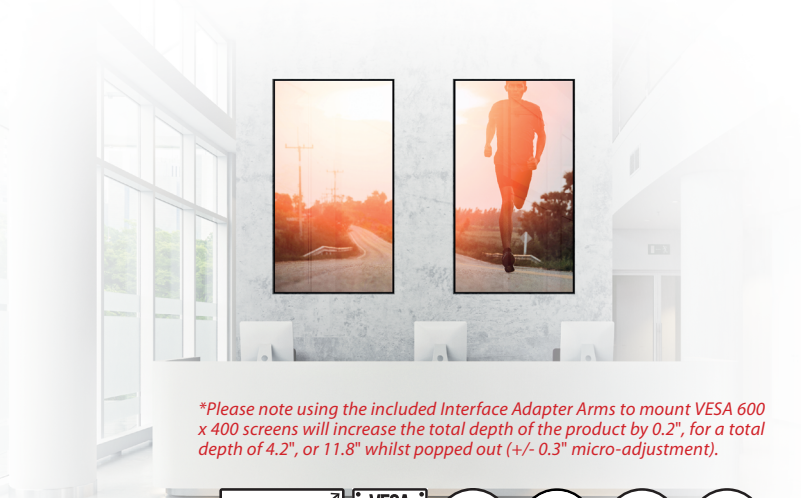


### SPECIFICATION

Recommended screen size	42"-120"
Min/Max load	154lbs - 276lbs
VESA compatibility (standard)	200 x 100 up to 600 x 400
VESA® compatibility (with adapters)	up to 600 x 400
Flat to wall depth	4"* (+/- 0.3" with micro-adjustment)
Popped out depth	12"* (+/- 0.3" with micro-adjustment)
Color	Black

### FEATURES

- Perfect solution for mounting large heavy duty screens into a recessed wall
- Suitable for landscape or portrait screen mounting
- Push to open / push to close system provides quick and easy service access
- Tool-less micro-adjustments at 8 points for seamless display alignment
- Suitable for both wall or pole mounting
- Integrated cable management
- Locking kit (BT8310-LK) to prevent accidental pop-out of mount is also available
- Includes interface Adapter Arms as standard for use with screens with VESA 600 x 400 fixings (larger Adapter Arms are also available)
- All mounting hardware included



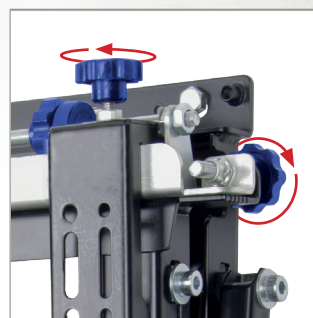
*\*Please note using the included Interface Adapter Arms to mount VESA 600 x 400 screens will increase the total depth of the product by 0.2", for a total depth of 4.2", or 11.8" whilst popped out (+/- 0.3" micro-adjustment).*



Side arms are reinforced to hold heavy loads up to 276lbs



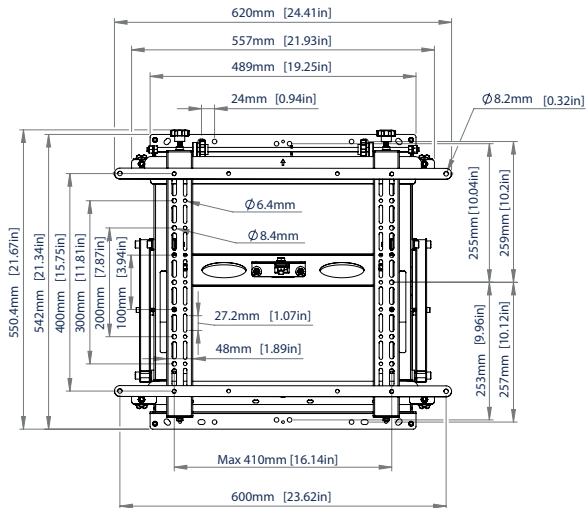
Push to open / push to close system provides quick and easy service access



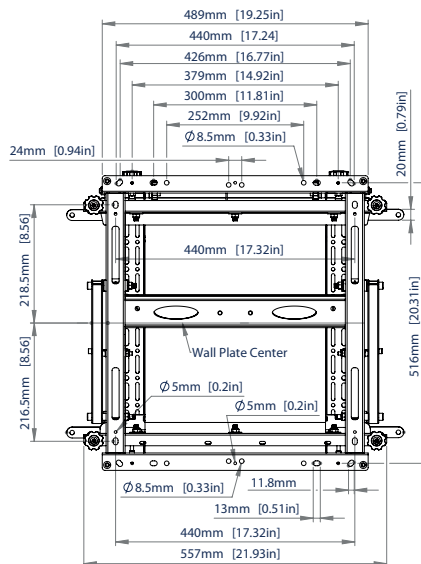
Tool-less micro-adjustment at 8 points for seamless display alignment



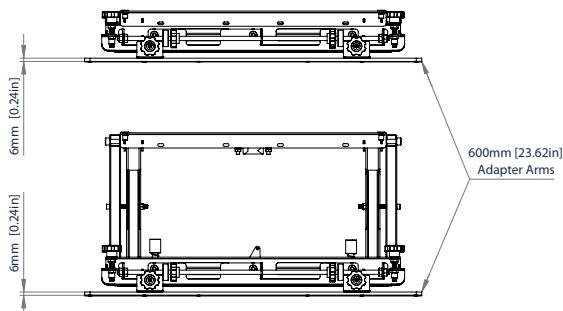
Optional Interface Adapters for VESA 600 x 400 fixings included as standard



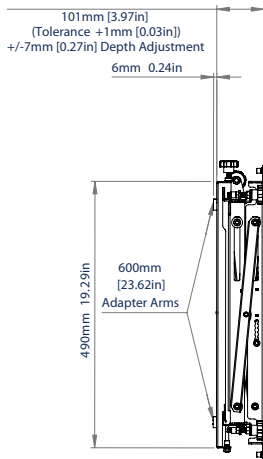
FRONT VIEW



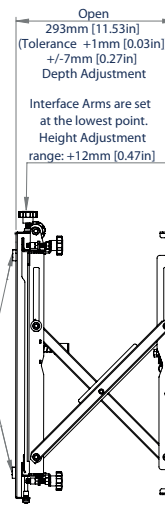
REAR VIEW



TOP VIEW OPEN STATE



SIDE VIEW CLOSED STATE



SIDE VIEW OPEN STATE

*\*Total depth increased to 4.2" (+/- 0.3" micro-adjustment) when using VESA 600 x 400 adapters*  
*\*\*Total depth increased to 11.8" (+/- 0.3" micro-adjustment) when using VESA 600 x 400 adapters*

PACKING INFORMATION

COLOR:	ORDER REF:	UPC CODE:	MASTER CARTON QTY:	INNER CARTON QTY:	MASTER CARTON WEIGHT:	MASTER CARTON CUBE
Black	BT8310XL/B	811867032512	1	0	35lbs	1.91 cuft

RELATED PRODUCTS



**BT9903**  
Heavy Duty XL Flat Screen Wall Mount for screens up to 441lbs



**BT8322**  
Portrait Digital Signage Wall Mount for screens up to 176lbs



**BT8312**  
Slimline Soft-Open Full Service Video Wall Mount for screens up to 110lbs



**BT8309**  
Pop-Out Flat Screen Wall Mount with Micro-Adjustment for screens up to 42"

B-TECH AV MOUNTS is a registered trademark of B-Tech International Design & Manufacturing Ltd. All other trademarks are the property of their respective owners. B-Tech International Design & Manufacturing Ltd. is not responsible for any damage or injury caused by the use of this product. Any reproduction or modification of any part of this specification is strictly prohibited. Copyright © 2022 B-Tech International Design & Manufacturing Ltd. B22

SS-V1-BT8310XL-29072022-EN-US