

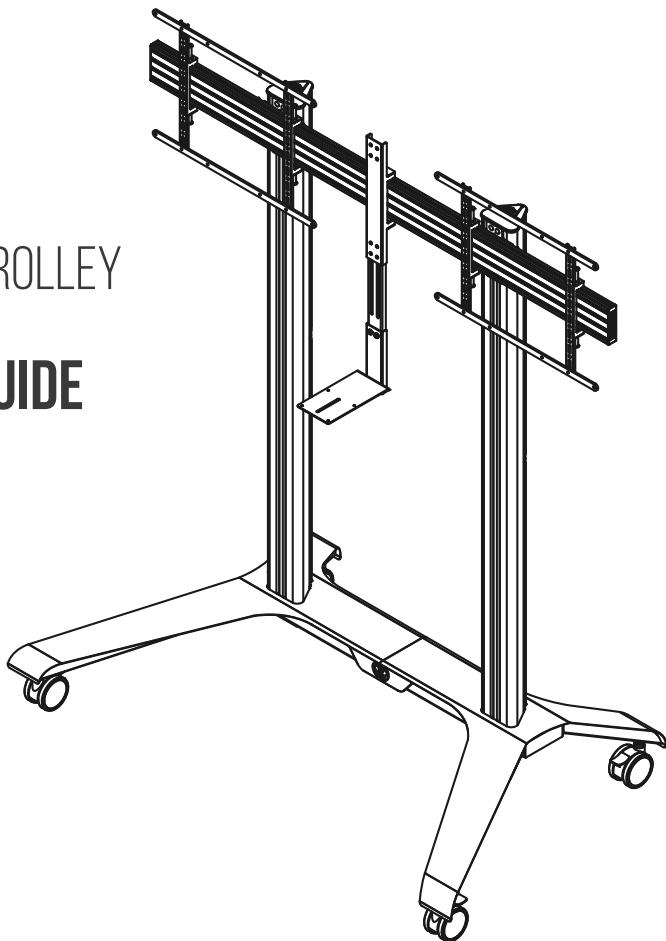


B-TECH AV MOUNTS

BT85 15

UNIVERSAL
TWIN SCREEN VC TROLLEY

INSTALLATION GUIDE



SPECIFICATIONS

- Recommended for mounting two screens side-by-side up to: 55" (116cm)
- Max load: 70kg (per screen)
- Suitable for displays with VESA® & non-VESA fixings up to 600 x 400mm
- Includes VC shelf which mounts directly to the column
- Non-marking locking / braked castors included
- Integrated cable management
- Dimensions: H.1905mm W.1754mm D.991mm



CONTENTS

Installation Safety Notes.....	2
Parts List.....	4
Installation Instructions.....	6
Product Dimensions.....	15
B-Tech Contact Details.....	16

INSTALLATION SAFETY INSTRUCTIONS



CAUTION: This mount is intended for use only with the maximum weights indicated. Use with screens heavier than the maximum indicated may result in instability causing possible injury.

Do not attempt to install this product until all instructions and warnings have been read and properly understood.
Please keep these instructions for future reference.

Please check carefully to make sure there are no missing or defective parts - defective parts must never be used. B-Tech AV Mounts, its distributors and dealers are not liable or responsible for damage or injury caused by improper installation, improper use or failure to observe these safety instructions. In such cases, all guarantees will expire.

General

B-Tech AV Mounts recommends that a professional AV installer or other suitably qualified person install this product. Great care must always be taken during installation as most AV equipment is of a fragile nature, possibly heavy and easily damaged if dropped.

If you do not fully understand the instructions or are not sure how to install this product safely, then please consult a professional for advice and/or to install this product for you. Failure to mount this product correctly may cause serious injury or death both during installation and at any time thereafter.

Do not mount any AV equipment that exceeds the specific weight limit of the product you are installing. This weight limit will be clearly stated on each product and its packaging and will vary from product to product.

Trolley operation

Warning: The trolley can tip over which may lead to serious injury. Only adults should push this trolley, do not allow children under 16 to move the trolley. Push the trolley on the narrow side, never pull the trolley. Do not push at the top of the trolley, push near the middle. Move the trolley slowly. Always park on level ground, never leave the trolley on an incline. Apply the brakes when the trolley is stationary, release the brakes when pushing the trolley.

Product location

Please pay careful attention to where this product is located, some locations are not suitable for installation. For indoor use only. Install stand on level ground. When verifying the stability of the structure, consider the following external factors: The strength of the floor, exposure to sudden and severe wind and danger arising from contact with people and / or objects (eg installations in passageways, emergency exits), if located in a public or frequently populated area ensure that the product is out of the immediate reach of people.

Fixing hardware

It is highly recommended that all fixing screws be used where supplied and that the purpose of all other fixing hardware is fully understood. In some cases more AV equipment fixing hardware will be supplied to accommodate different models of equipment and set up configurations.

The installer must be satisfied that any supplied fixing hardware is suitable for each specific installation.

If any fixing screws or included hardware are deemed not sufficient for a safe installation then please consult a professional or your local hardware store.

Hazard limitation

When routing cables take advantage of any built in cable management features that the product might provide and ensure that all cables are tidy and secure. Check to see that any moving aspect of the product can do so unhindered by any cabling. Some products have moving parts and the potential to cause injury through the crushing or trapping of fingers or other body parts. Particular attention to the nature of moving parts is required especially when assembling installing and adjusting during set up. Immediately after installation double-check that the work done is safe and secure. Double-check all necessary fixings are present and are of ample tightness.

It is recommended that periodic inspections of the product and its fixing points are made as frequently as possible to ensure that safety is maintained. If in doubt consult a professional AV installer or other suitably qualified person.

CN B-Tech AV Mounts 建议本产品由专业AV安装人员或其他合格人员安装。 B-Tech AV Mounts 及它的代理商、经销商不对由于不恰当的安装而造成的损失或伤害负责。 本产品必须安装在合适的架构上，并仅用于不超过所标示的最大承重。

CS Společnost B-Tech AV Mounts doporučuje provést instalaci tohoto produktu instalátora AV či jinak způsobilé osoby. Společnost B-Tech AV Mounts, její distributoři a prodejci nenesou prostřednictvím odborného odpov. ědnot za škody nebo zranění zp. úsobená nevhodnou instalací. Tento výrobek je nutno umístit do vhodné konstrukce a používat jen po uvedené maximální výšku.

DE B-Tech AV Mounts empfiehlt, dass dieses Produkt durch einen qualifizierten AV-Techniker oder eine andere Person mit geeigneter Qualifikation installiert wird. B-Tech AV Mounts, ihre Distributoren und Händler können nicht für durch fehlerhafte Montage verursachte Beschädigung oder Verletzung haftbar bzw. verantwortlich gemacht werden. Dieses Produkt muss auf eine geeignetem Untergrund montiert werden und darf nur bis zum angegebenen Höchstgewicht verwendet werden.

ES B-Tech AV Mounts recomienda que un instalador de audio y video profesional u otra persona debidamente cualificada instalen este producto. B-Tech AV Mounts, sus distribuidores y concesionarios no se hacen cargo ni se responsabilizan de ningún daño o lesión provocados por una instalación inapropiada. Este producto se debe montar en una estructura adecuada y se debe utilizar soportando solamente hasta el peso máximo indicado.

FR B-Tech AV Mounts recommande de confier l'installation de ce produit à un installateur AV professionnel ou à une autre personne dûment qualifiée. B-Tech AV Mounts, ses distributeurs et ses revendeurs ne sauraient être tenus responsables de tout dégât ou de toute blessure résultant d'une installation incorrecte. Ce produit doit être monté sur un support approprié et utilisé dans la limite du poids maximum indiqué.

IT B-Tech AV Mounts consiglia di affidare l'installazione di questo prodotto a un installatore specializzato o ad altra persona adeguatamente qualificata. B-Tech AV Mounts, i suoi distributori e rivenditori non accettano alcuna responsabilità nei riguardi di eventuali danni o infortuni causati da un'errata installazione. Questo prodotto deve essere fissato a una struttura idonea e utilizzato unicamente sino al peso massimo indicato.

JP B-Tech AV Mounts はAV設置の専門家または適合した知識を備えた人が製品を設置することを推奨します。B-Tech AV Mounts と販売店、取引先はこうした安全指針に従わない場合に随伴される製品の損傷や傷害に対する責任を負いません。場合によって製品が設置されるに適用していないところもあるので設置位置に特別な注意を傾けてください。この製品の位置に注意を傾けて設置に適していない壁があるかを確認してください。指定した重さ制限を超過するAV装備を装着しないでください。

KR B-Tech AV Mounts 는 AV 설치 전문가 또는 적합한 지식을 갖춘 사람이 제품을 설치하도록 권장합니다. B-Tech AV Mounts 와 판매점, 거래처는 이러한 안전 지침을 따르지 않을 경우에 수반될 제품의 손상이나 상해에 대한 책임을 지지 않습니다. 경우에 따라 제품이 설치되기에 적합하지 않은 곳들도 있으므로 설치 위치에 특별한 주의를 기울여 주시기 바랍니다. 제품의 설치 위치에 주의를 기울여 확인하십시오. 지정된 무게 제한을 초과하는 AV 장비를 장착하지 마십시오.

NL B-Tech AV Mounts adviseert om dit product te laten installeren door een professionele AV-instalateur of andere hiervoor gekwalificeerde persoon. B-Tech AV Mounts, haar distributeurs en dealers zijn niet aansprakelijk of verantwoordelijk voor schade of letsel die is veroorzaakt door onoordeelkundige installatie. Dit product moet worden gemonteerd aan een geschikte constructie, waarbij het aangegeven maximum gewicht niet mag worden overschreden.

PL Firma B-Tech AV Mounts zaleca, aby ten produkt był instalowany przez profesjonalnych instalatorów AV lub inny odpowiednio przeszkolony personel. Firma B-Tech AV Mounts, jej dystrybutorzy i dealery nie ponoszą odpowiedzialności za uszkodzenia lub obrażenia ciała powstałe w wyniku nieprawidłowej instalacji. Niniejszy produkt musi być amontowany na odpowiedniej powierzchni, a podczas użytkowania nie wolno przekraczać podanego maksymalnego obciążenia.

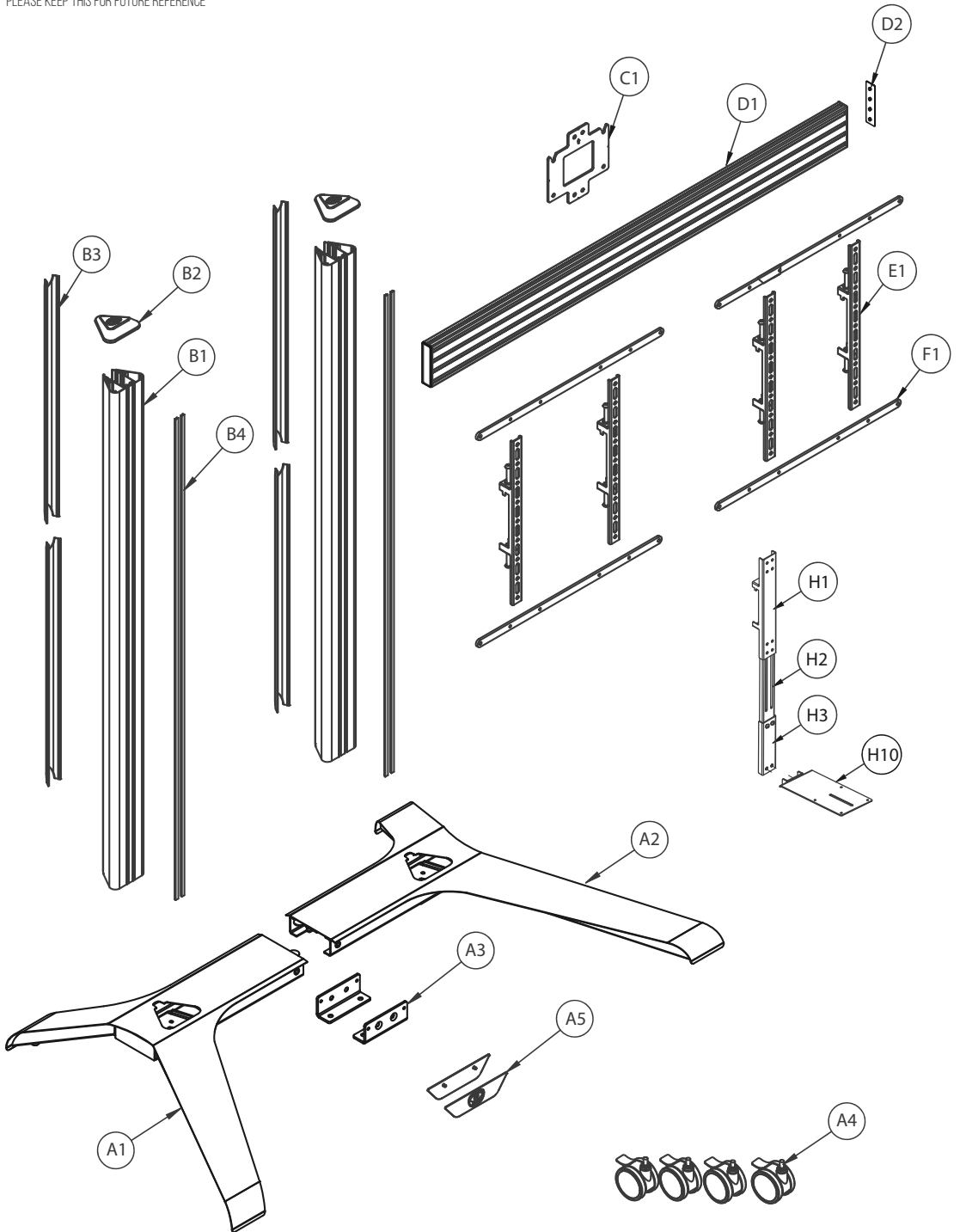
PT A B-Tech AV Mounts recomenda que a instalação deste produto seja efectuada por um instalador de AV instalador de AV profissional ou outra pessoa devidamente habilitada. A B-Tech AV Mounts e os seus distribuidores e concessionários não são responsáveis por danos ou lesões causados por uma instalação incorrecta. Este produto tem de ser montado numa estrutura adequada e utilizado somente até ao peso máximo indicado.

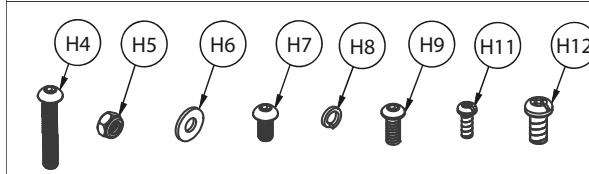
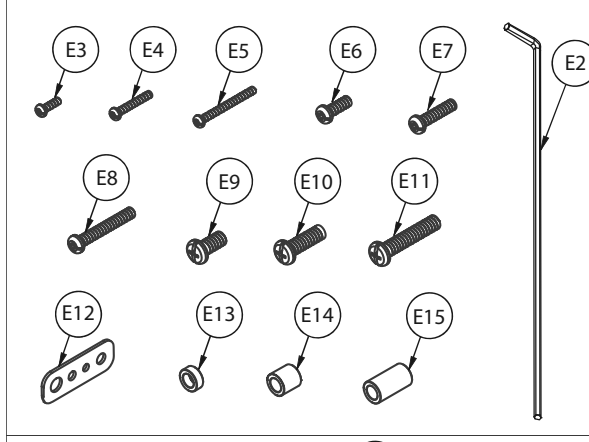
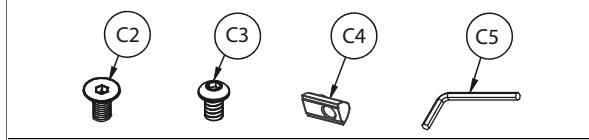
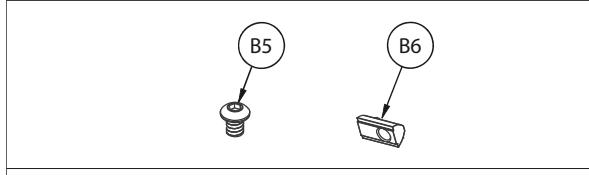
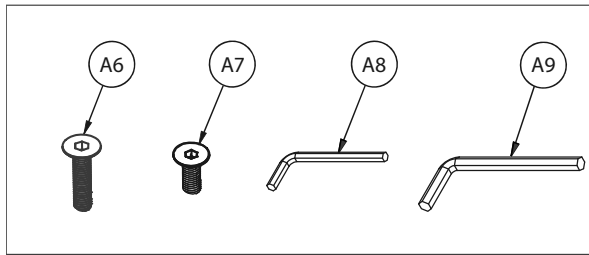
RU Компания B-Tech AV Mounts рекомендует, чтобы установка данного изделия производилась инженером по установке аудио-видеотехники или другим специалистом с соответствующей квалификацией. Компания B-Tech AV Mounts ее дистрибьюторы и дилеры не несут ответственности за повреждения или травмы, полученные в результате неправильной установки.

توصي بي-تلك للتجارة الدولية المحدودة بأن شخص محترف في تركيب ال AV او شخص مؤهل تأهلا مناسباً لتركيب هذا المنتج بي-تلك للتجارة الدولية، موزعياً والتجار ليست عرضة أو مسؤولة عن الأضرار أو الإصابات الناجمة عن تركيب غير سليم، والاستخدام غير السليم أو عدم مراعاة هذه التعليمات للسلامة. يجب أن يتم تركيب هذا المنتج في بنية مناسبة ويجب استخدام فقط لدعم الحد الأقصى للوزن المشار إليه.

BT8515 PARTS LIST

PLEASE KEEP THIS FOR FUTURE REFERENCE

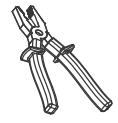




ITEM	PART	DESCRIPTION	QTY
BASE	A1	BASE - LEFT SIDE	1
	A2	BASE - RIGHT SIDE	1
	A3	BASE CONNECTOR	2
	A4	CASTOR	4
	A5	TRIM	2
	A6	M8 x 35mm CSK HEX SCREW	8
	A7	M10 x 25mm CSK HEX SCREW	8
	A8	5AF HEX KEY	1
	A9	6AF HEX KEY	1
COLUMN	B1	COLUMN	2
	B2	END CAP	2
	B3	COLUMN REAR COVER	4
	B4	COLUMN STRIP	4
	B5	M8 x 10mm HEX SCREW	6
	B6	M8 SLIDING NUT	6
JOINING PLATE	C1	JOINING PLATE	2
	C2	M8 x 12mm CSK HEX SCREW	8
	C3	M8 x 12mm HEX SCREW	8
	C4	M8 SLIDING NUT	16
	C5	4AF HEX KEY	2
RAIL	D1	MOUNTING RAIL	1
	D2	END CAP	2
SCREEN FIXING KIT	E1	SCREEN INTERFACE ARM	4
	E2	5AF LONG HEX KEY	2
	E3	M4 x 12mm SCREW	8
	E4	M4 x 25mm SCREW	8
	E5	M4 x 40mm SCREW	8
	E6	M6 x 16mm SCREW	8
	E7	M6 x 25mm SCREW	8
	E8	M6 x 40mm SCREW	8
	E9	M8 x 16mm SCREW	8
	E10	M8 x 25mm SCREW	8
	E11	M8 x 40mm SCREW	8
	E12	MULTIWASHER	8
	E13	5mm SPACER	8
	E14	13mm SPACER	8
	E15	24mm SPACER	8
ADAP-TORS	F1	600mm ADAPTOR ARM	2
	F2	M8 x 12mm HEX SCREW	4
VC SHELF	H1	HOOK ARM	1
	H2	SLIDING BRACKET	1
	H3	EXTENSION BRACKET	1
	H4	M8 x 55mm HEX SCREW	2
	H5	M8 NUT	4
	H6	WASHER	4
	H7	M8 x 16mm HEX SCREW	4
	H8	M8 SPRING WASHER	4
	H9	M8 x 20mm HEX SCREW	2
	H10	SHELF	1
	H11	M4 x 10mm SCREW	4
	H12	UNC 1/4" x 1/2" SCREW	1

INSTALLATION TOOLS REQUIRED

Crosshead screwdriver 13mm Spanner Pliers/Cutter

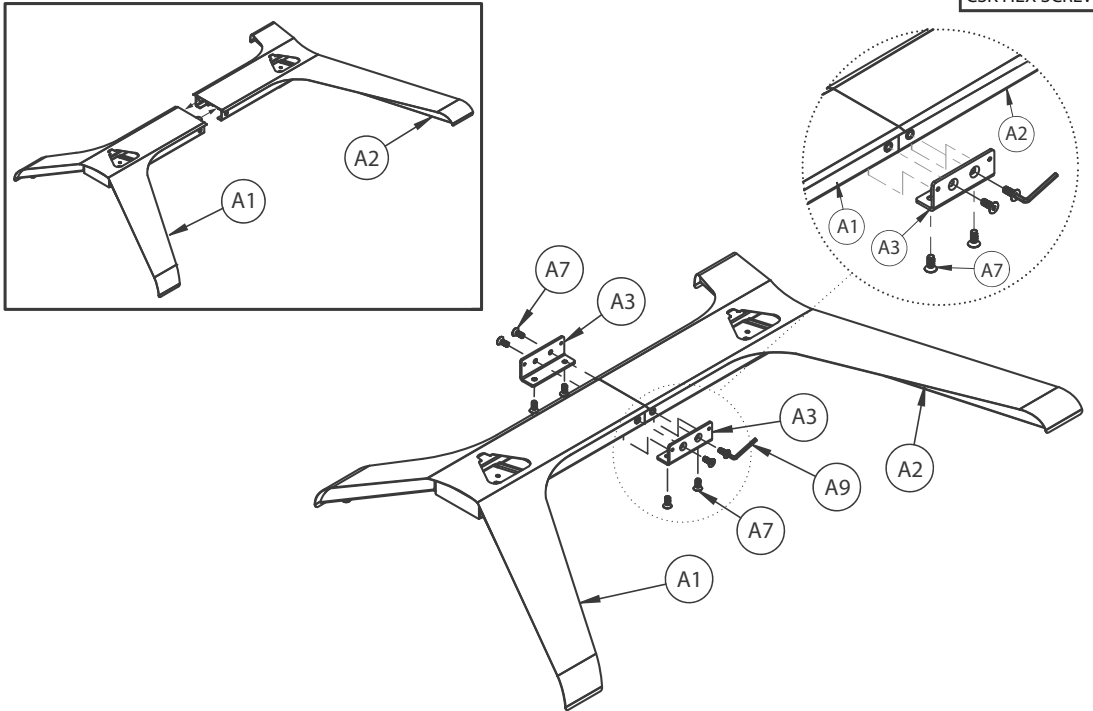


INSTALLATION INSTRUCTIONS

1. ASSEMBLE BASE

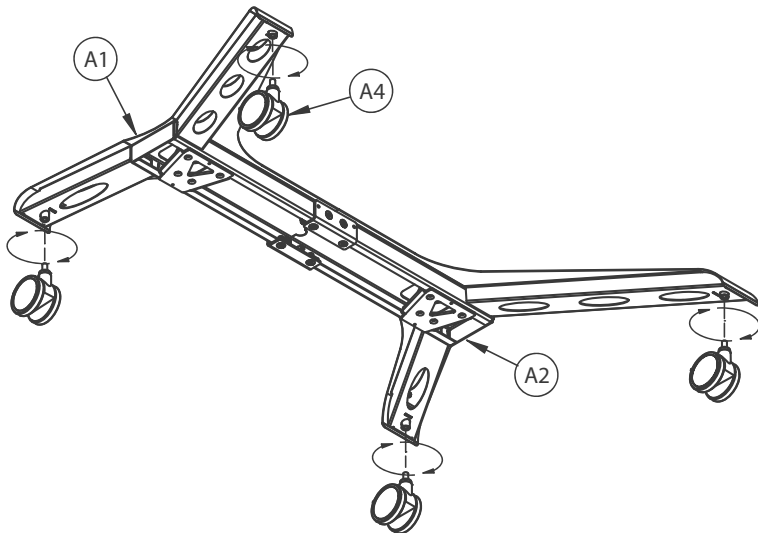
Connect *item A1* and *item A2* together using *item A3*.

Fix *item A3* in place by screwing 4 x *item A7* into *item A1* and 4 x *item A7* into *item A2*.



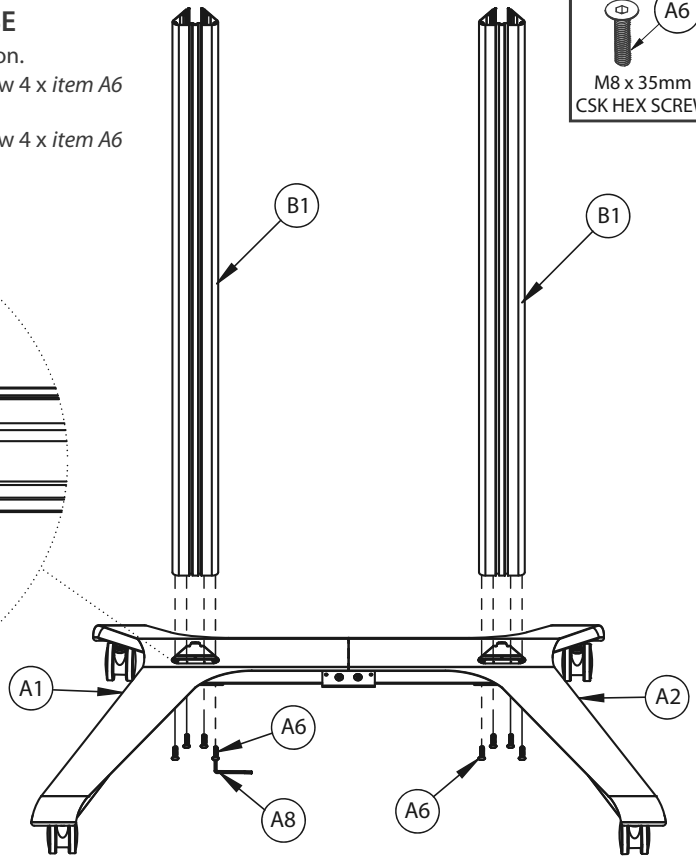
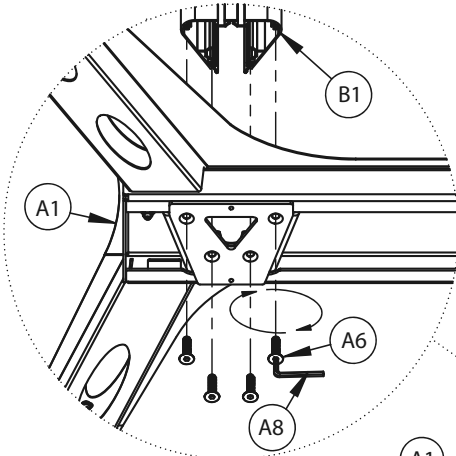
2. FIX CASTORS TO BASE

Screw 4 x *item A4* into *items A1* & *A2* and apply the brakes.



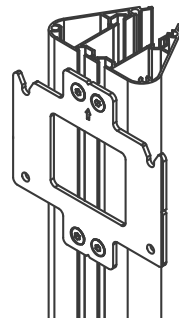
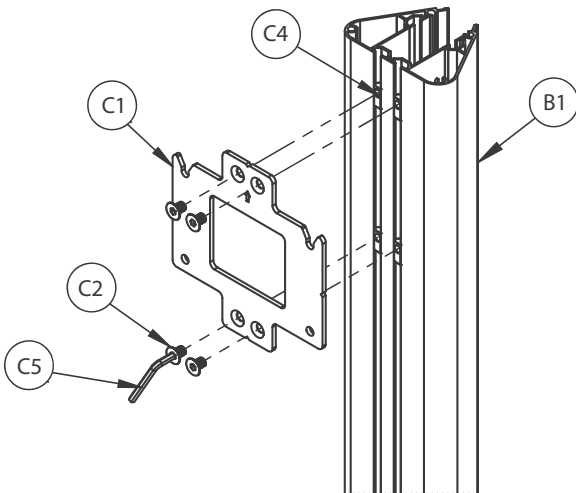
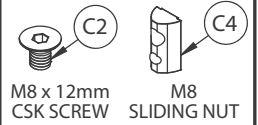
3. ATTACH COLUMNS TO BASE

Stand the base in its upright position.
Insert *item B1* into *item A1* and screw 4 x *item A6* through the underside of *item A1*.
Insert *item B1* into *item A2* and screw 4 x *item A6* through the underside of *item A2*.



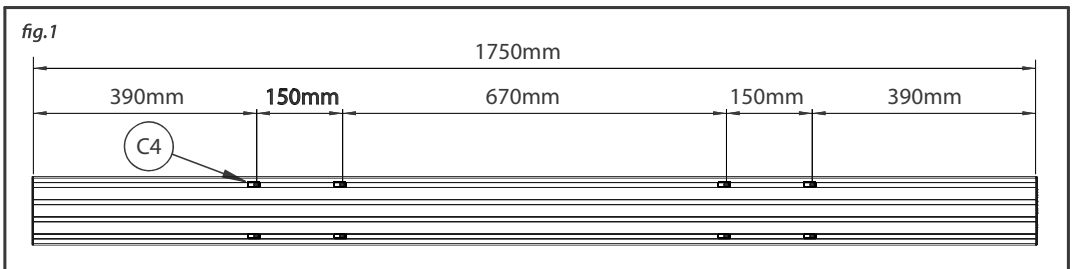
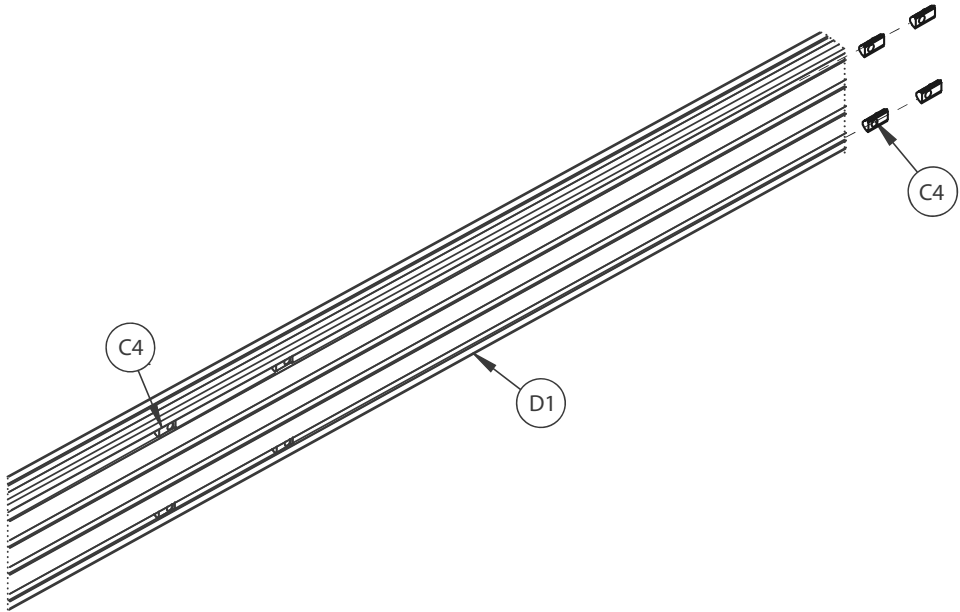
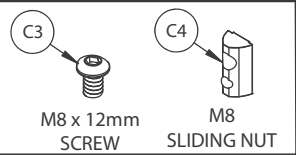
4. ATTACH JOINING PLATES TO COLUMNS

i. Slide 4 x *item C4* into *item B1* (2 in each front slot).
ii. Attach *item C1* to *item B1* by fixing *item C2* into *item C4*.
Repeat on both columns and ensure the joining plates are set at the same height.

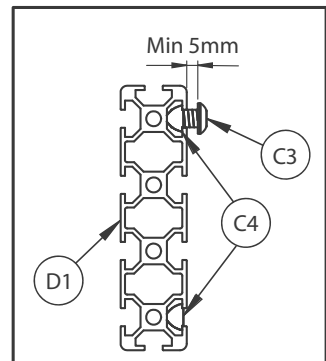
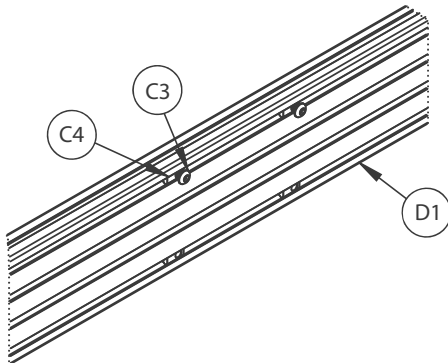


5. INSERT SLIDING NUTS AND ADD SCREWS TO RAIL

- i. On each side of the rail insert 2 x *item C4* into the top channel and 2 x *item C4* into the bottom channel of *item D1*. Position *items C4* as shown in *fig. 1*.

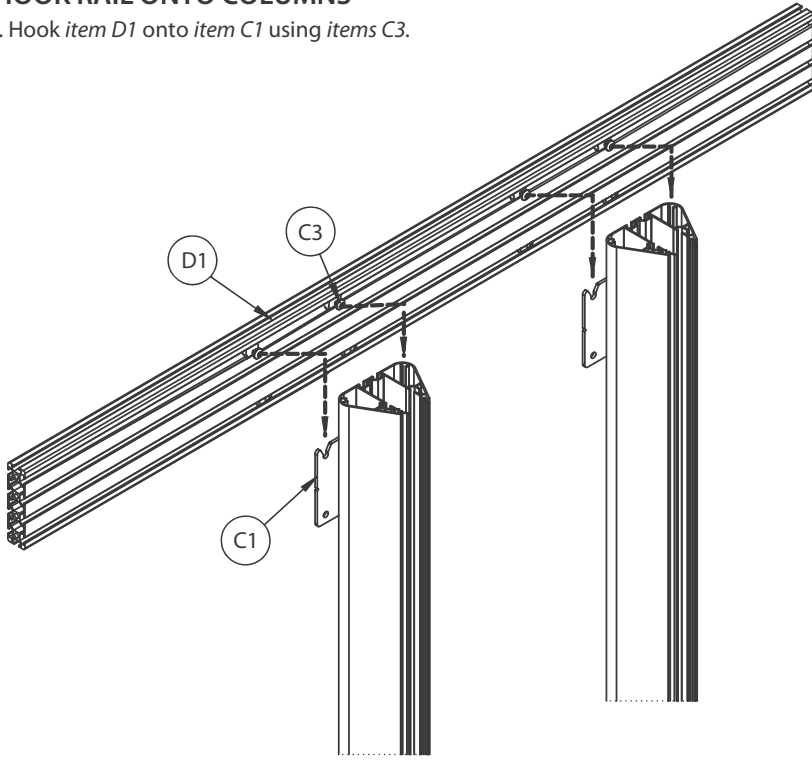


- ii. Screw 4 x *item C3* into the top row of *item C4*. Leave a minimum of a 5mm gap to allow the rail to hook onto the joining plate.

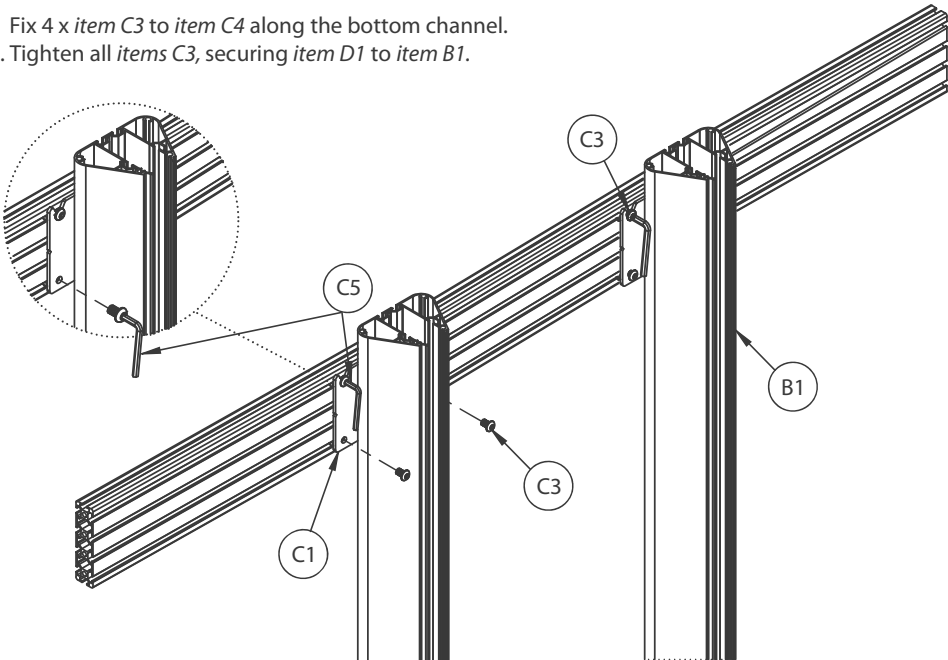


6. HOOK RAIL ONTO COLUMNS

i. Hook item D1 onto item C1 using items C3.

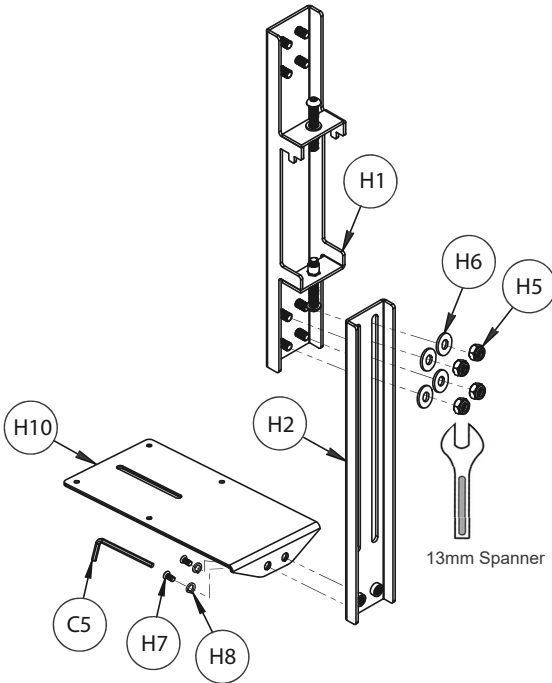
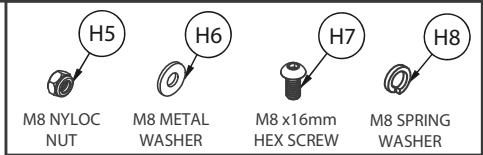


ii. Fix 4 x item C3 to item C4 along the bottom channel.
iii. Tighten all items C3, securing item D1 to item B1.



7. ASSEMBLE VC SHELF

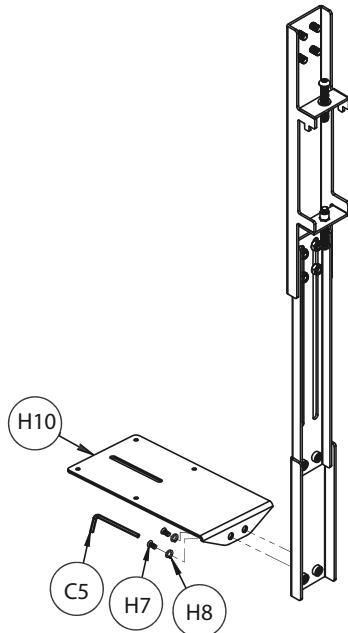
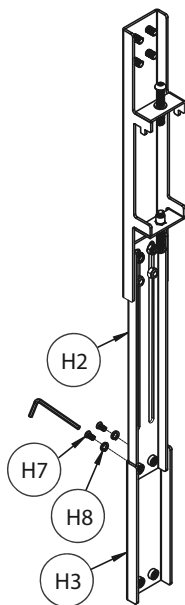
- i. Attach item H2 to item H1 using items H5 & H6.
- ii. Attach item H10 to item H2. using items H7 & H8.



Note: The shelf adaptor can mount the shelf above or below the screens. Assembly shows shelf mounted below the rail / screens.

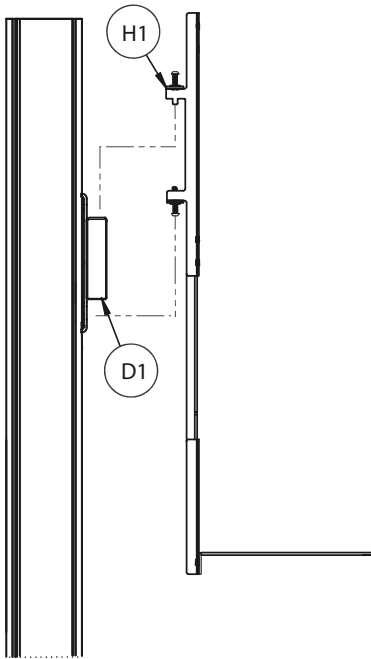
Optional Add extension bar

For an extended reach attach item H3 onto item H2 using items H7 & H8.



8. HOOK SHELF ONTO MOUNTING RAIL

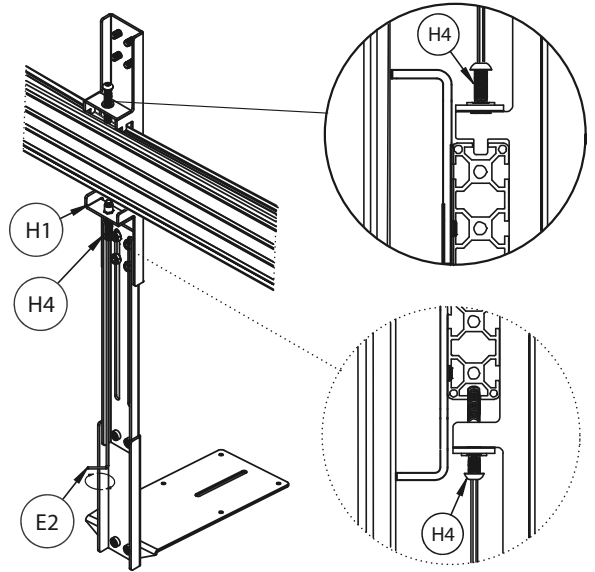
i. Hook item H1 centrally onto item D1.



ii. Secure shelf to rail.

Use item H4 on the bottom of item H1 to secure the shelf to item D1.

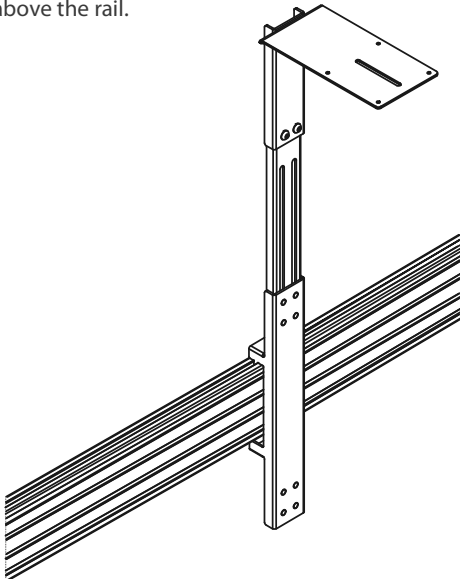
Optional: Level the shelf bracket by adjusting item H4 on top of item H1.



ALTERNATIVE SHELF MOUNTING OPTIONS

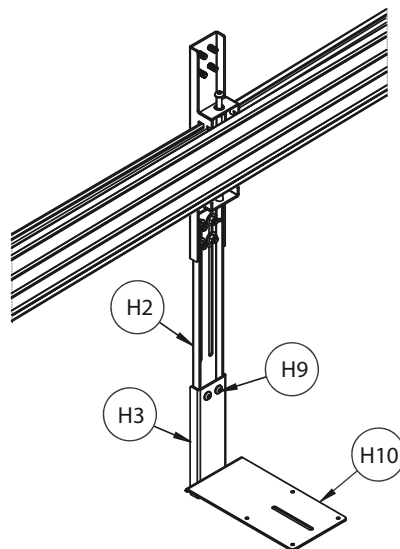
ABOVE THE SCREEN MOUNTING

Shelf shown mounted above the rail.



REVERSE MOUNTING

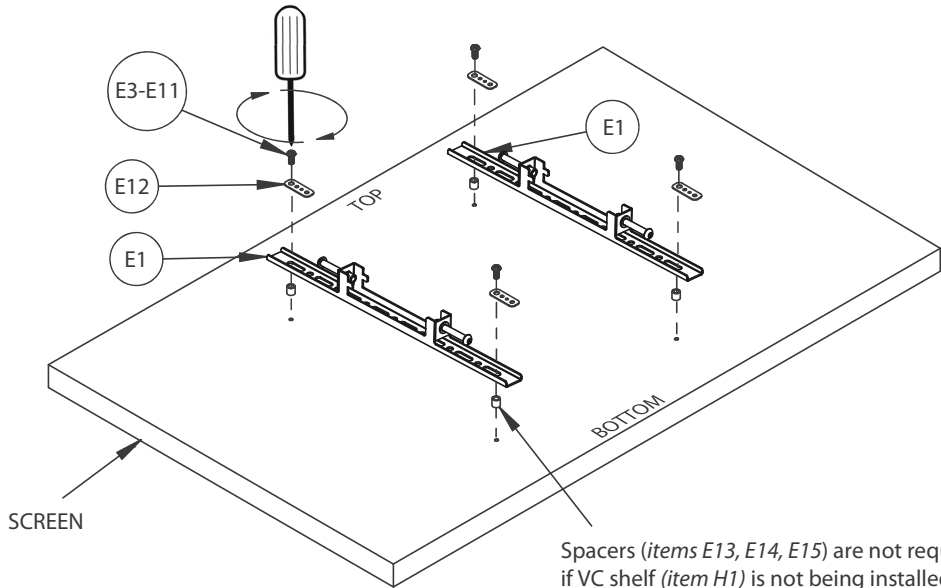
To reverse mount the shelf, use item H9 to mount item H10 onto the back of item H3.



9. FIX INTERFACE ARMS TO SCREENS

Fix *items E1* to the back of the screen using the interface kit (*items E3-E15*).
Use adaptor arms (*item F1*) for screens with VESA 600 x 400mm - see below.

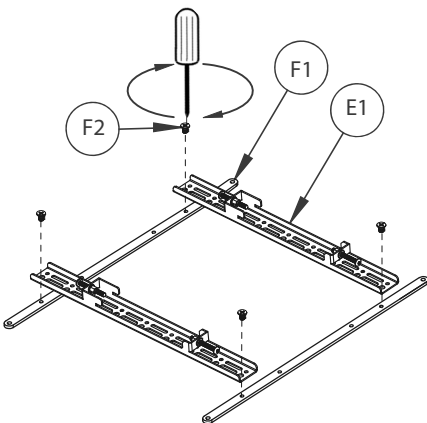
Note: Ensure *items E1* are positioned the correct way round and the same holes are used on both interface arms.



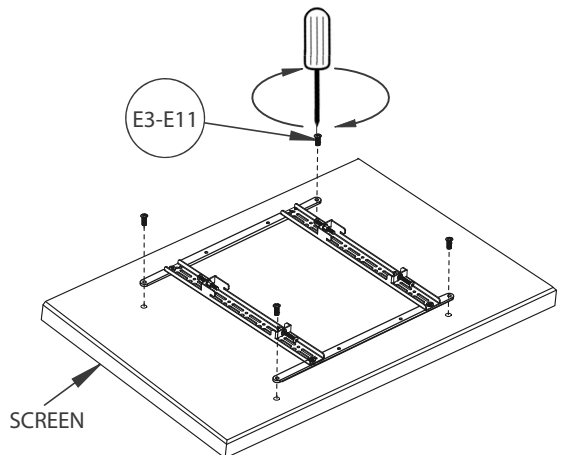
Spacers (*items E13, E14, E15*) are not required if VC shelf (*item H1*) is not being installed or if reverse mounting the shelf (see page 11).

Screens with VESA 600 fixings

i. Attach *item F1* to *item E1* using *items F2*.

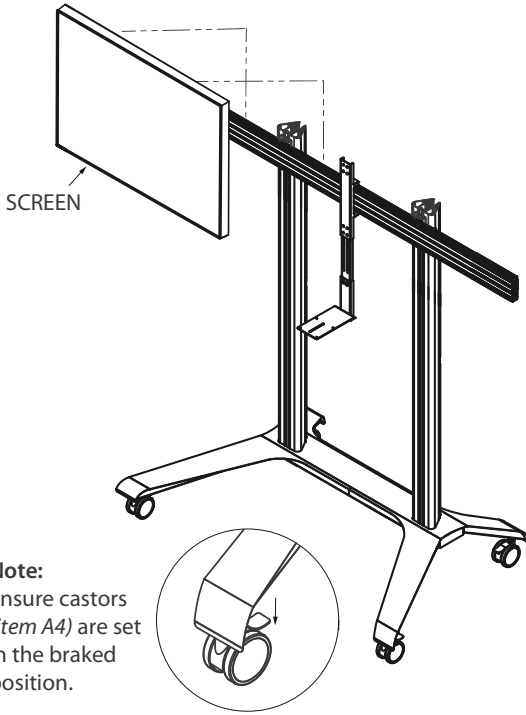


ii. Attach *item F1* to rear of screen using the interface kit (*items E3-E15*).

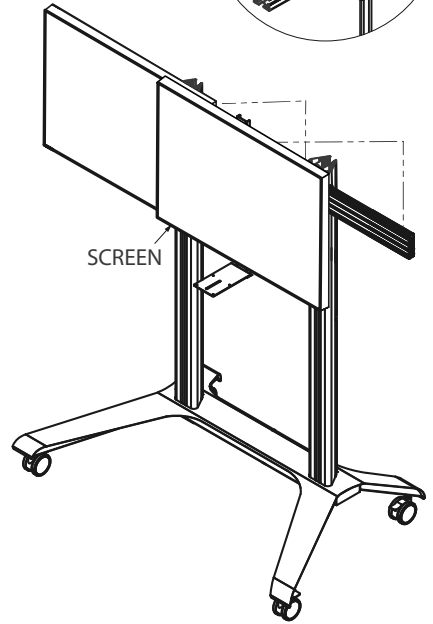
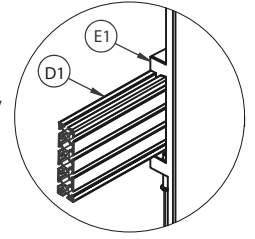


10. HOOK ON SCREENS

Hook screens onto *item D1*.



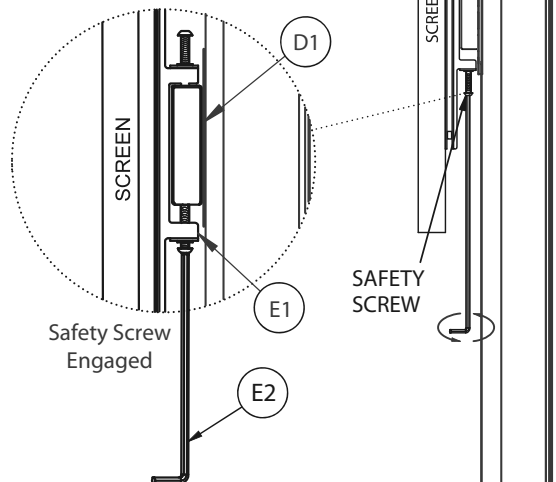
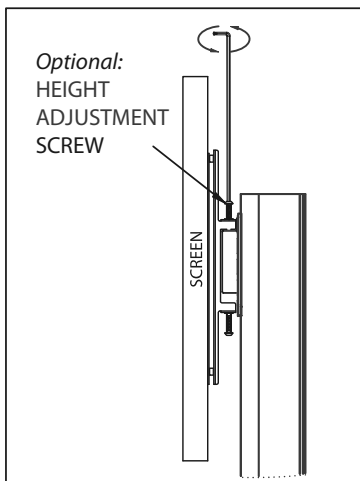
Note:
Ensure arms are
hooked securely
onto the rail.



11. LOCK SCREENS TO RAIL

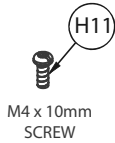
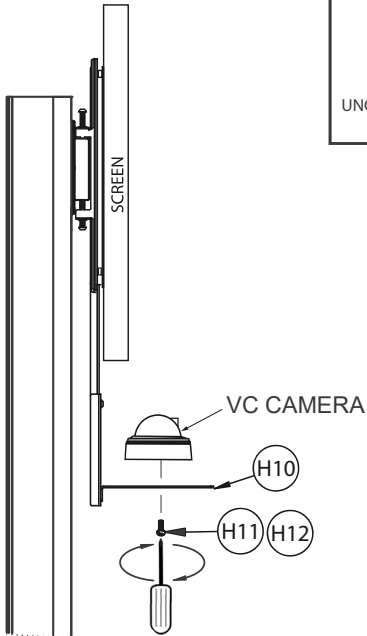
Tighten the safety screws on the bottom of *item E1* securing the screens to *item D1*.

Note: If necessary, use the height adjustment screws on top of *item E1* to level the screens.



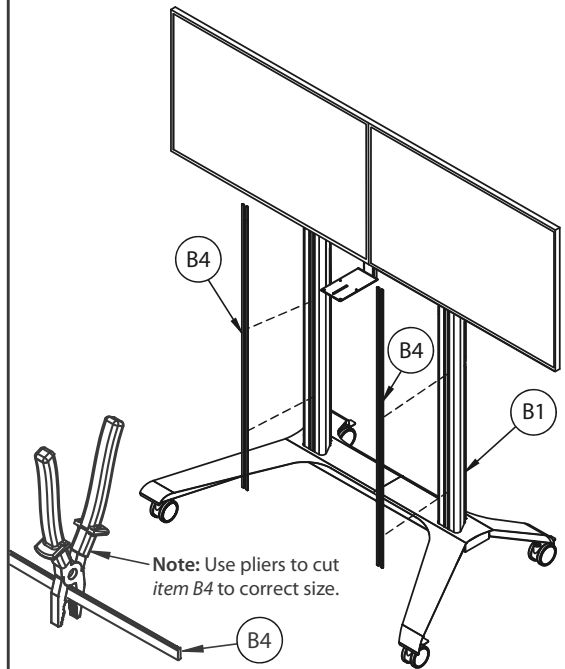
12. ATTACH CAMERA TO SHELF

Fix camera to *item H10* using either *item H11* or *item H12*.



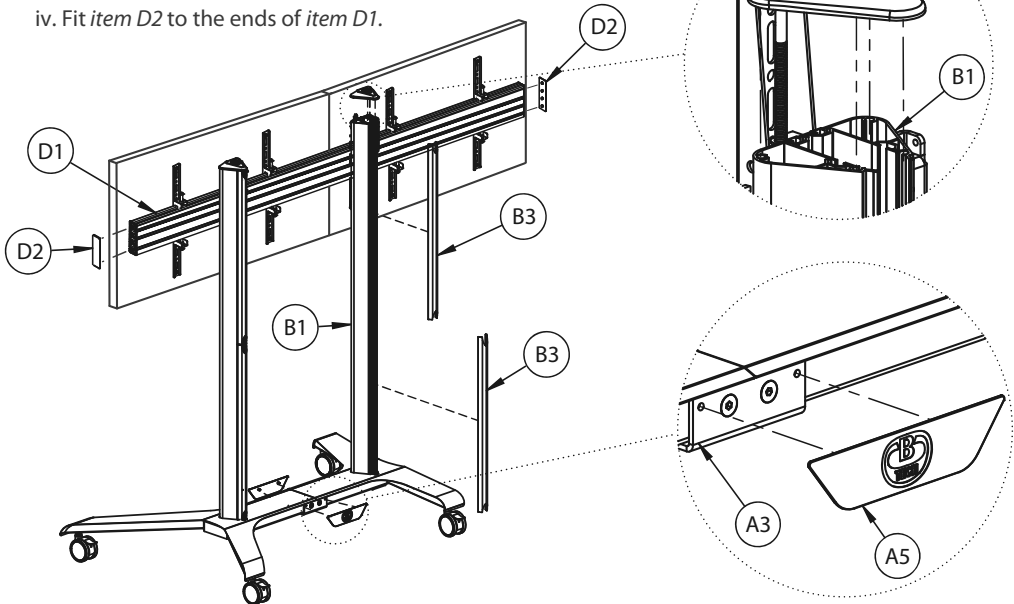
13. INSERT COLUMN STRIPS

Insert *item B4* into the front slots on *item B1*.
Note: *Item B4* will need to be cut to size.



14. ATTACH PLASTIC COVERS

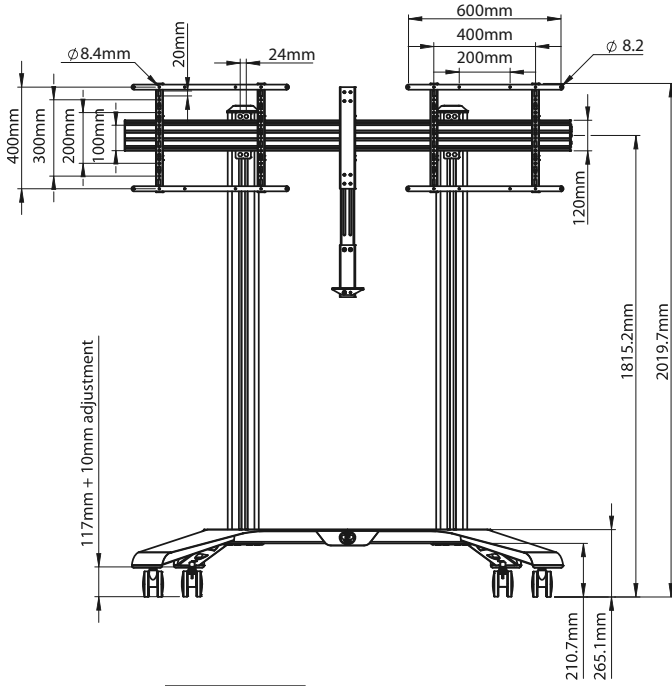
- Fit *item B2* to the top of of *item B1*.
- Attach *item B3* to the rear of *item B1*.
- Attach *item A5* into the front and rear of *item A3*.
- Fit *item D2* to the ends of *item D1*.



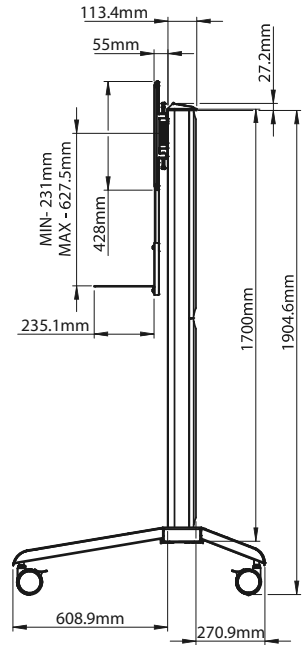
BT8515 PRODUCT DIMENSIONS

PLEASE KEEP THIS FOR FUTURE REFERENCE

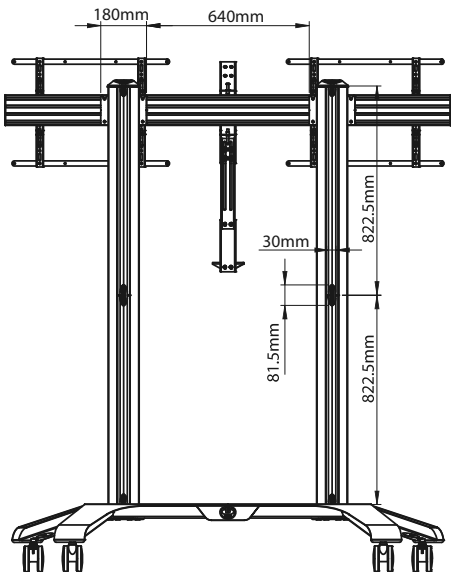
FRONT VIEW



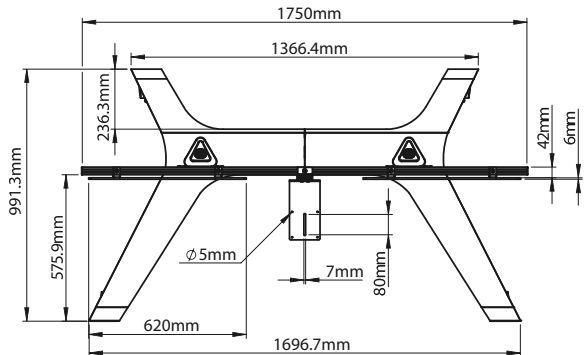
SIDE VIEW



BACK VIEW



TOP VIEW



THESE INSTRUCTIONS ARE INTENDED AS A GUIDE ONLY AND B-TECH ACCEPTS NO LIABILITY FOR THE ACCURACY OF THE INFORMATION CONTAINED IN THIS DOCUMENT.



CONTACT:

info@btechavmounts.com

©2020 B-Tech AV Mounts. All rights reserved.

B-Tech AV Mounts is a division of B-Tech International Design and Manufacturing Ltd.

B-Tech AV Mounts and the B-Tech logo are registered trade marks.

All other brands and product names are trademarks of their respective owners.

Photographs are for illustrative purposes only. E&OE.

AMA-BT8515-V1-1120-110 MADE IN VIETNAM

